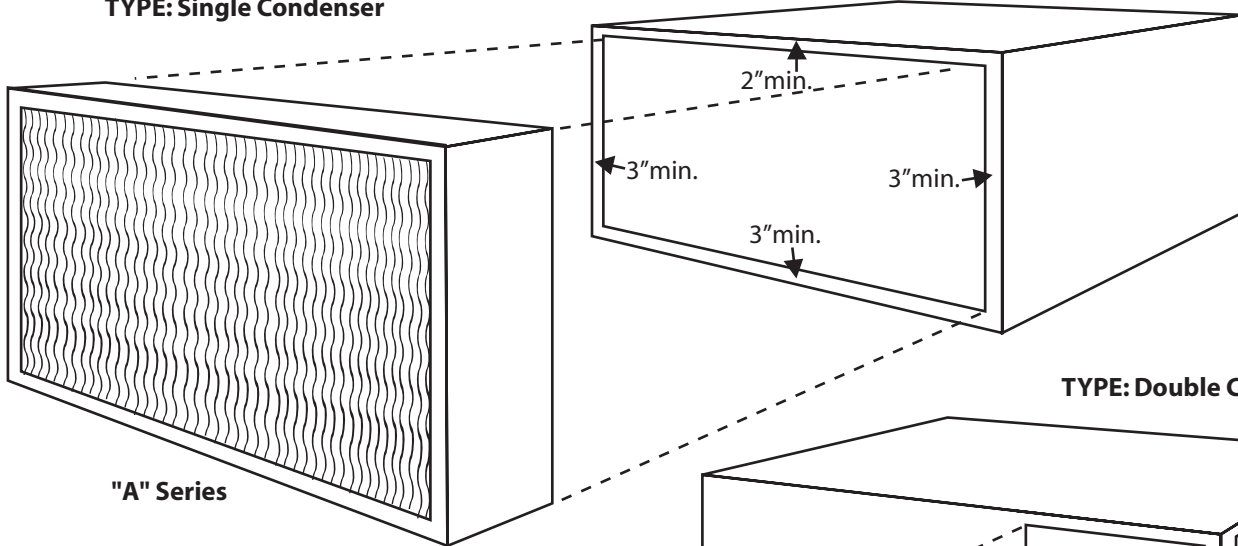


Illustrations shown are of P or S Model.

**TYPE: Single Condenser**



**"A" Series**

**NOTE:**

3" pad will have 5" case

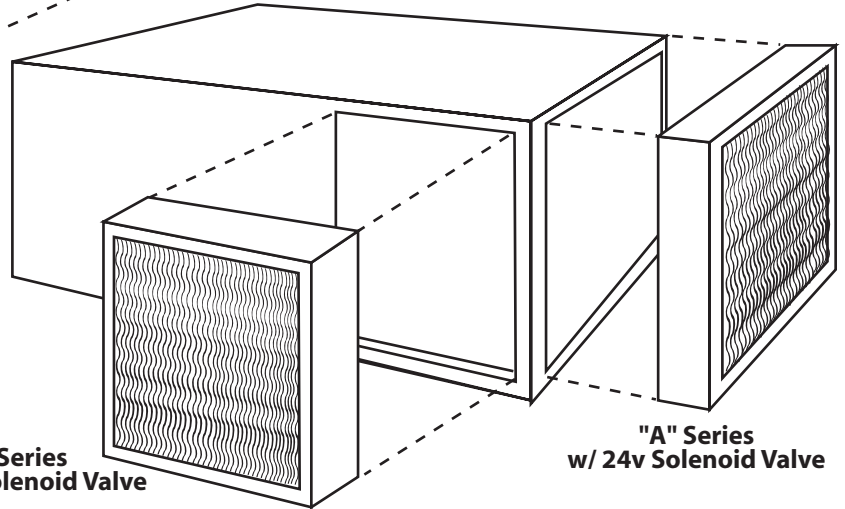
4" and 6" pad will have 7" case

Coil needs minimum clearance:

2" on top

3" on bottom and sides

**TYPE: Double Condenser**



**"B" Series  
w/o 24v Solenoid Valve**

**"A" Series  
w/ 24v Solenoid Valve**

**Information Needed:**

CFM: \_\_\_\_\_

**"A" Series**

Coil Width: \_\_\_\_\_ Coil Height: \_\_\_\_\_

Dimension from corner to coil: \_\_\_\_\_

Controls on side:  left or  right

Plastic  Stainless

**"B" Series**

Coil Width: \_\_\_\_\_ Coil Height: \_\_\_\_\_

Dimension from corner to coil: \_\_\_\_\_

Needle Valve on side:  left or  right

Plastic  Stainless

Depth of Pad:  3"  4"  6"

Max CFM is 530 per sq. foot of coil opening for CELdek and 350 for 5090 pad.